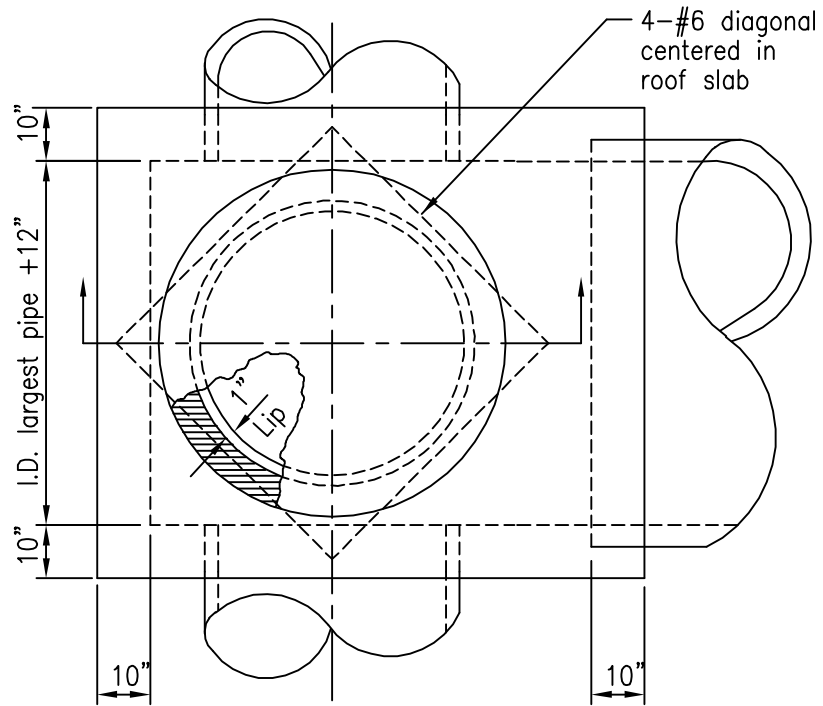
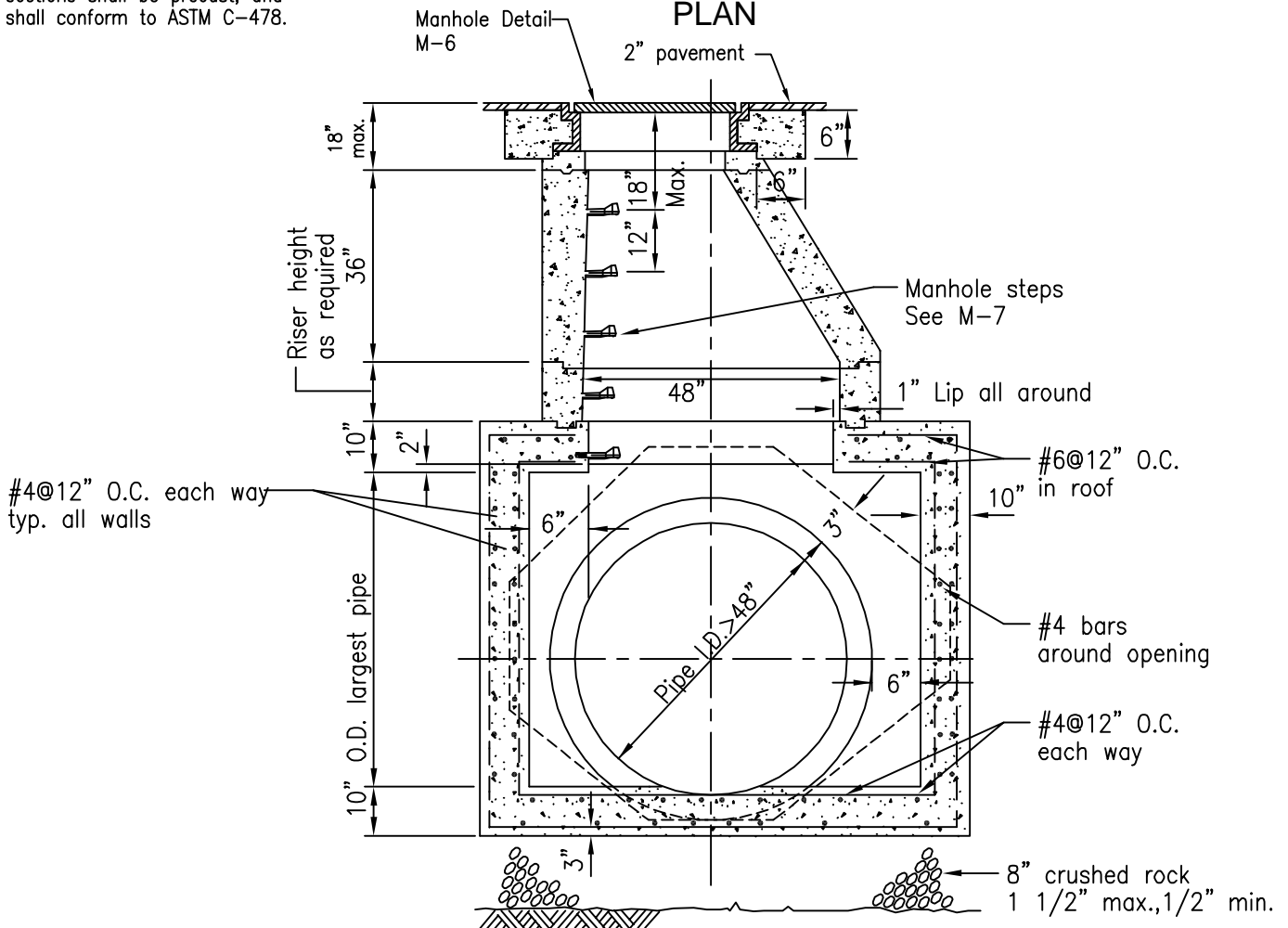


NOTES:

1. Provide a minimum drop of 0.10' across manhole when line bends and/or pipe diameter changes.
2. Concrete shall be Class A.
3. All joints shall be made water-tight with neoprene gaskets or Ram-neck.
4. Minimum crown elevation of smaller diameter inlet pipe shall be no less than the crown elevation of the outlet pipe without approval of City Engineer. Maximum drop from invert of inlet pipe to crown of outlet pipe shall be 1'-0".
5. Lay pipe through manhole when possible.
6. Top of pipe to be removed within manhole. Trim to neat line and finish off with grout to leave a smooth finish.
7. Provide two joints at all entry points to manholes.
8. Reinforced concrete manhole sections shall be precast, and shall conform to ASTM C-478.



PLAN



SECTION

NOT TO SCALE

STANDARD  
DETAIL

CITY OF BRISBANE  
DEPARTMENT OF PUBLIC WORKS

DATE: 06/25/07

TYPE III MANHOLE  
(PIPES LARGER THAN 48")

M-5